

# ORECK<sup>®</sup> XL<sup>®</sup>

S I M P L Y   A M A Z I N G<sup>®</sup>



USA: 1-800-989-3535  
CANADA: 1-888-676-7325



WWW.ORECK.COM



VISIT ONE OF OUR OVER  
450 STORE LOCATIONS



F R A N Ç A I S

GUIDE D'UTILISATION PAGE 8

E S P A Ñ O L

GUIA DEL USUARIO PAGE 13

## USER'S GUIDE XL21

600 ECB  
600 ECC

HIGH SPEED UPRIGHT VACUUM  
CLEANER WITH

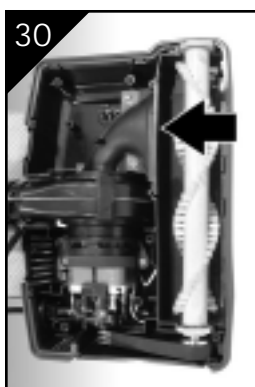
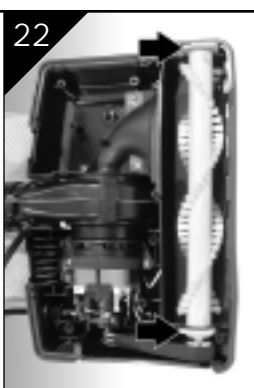
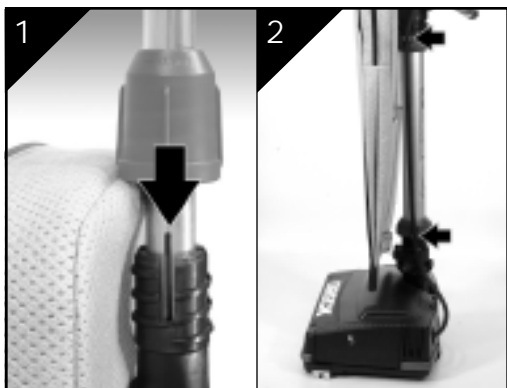
**HEPA  
CELOC<sup>®</sup>**

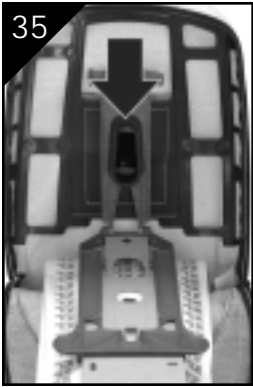
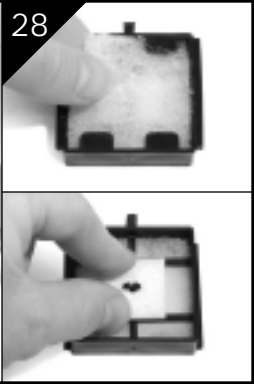
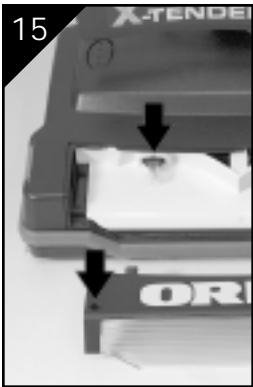
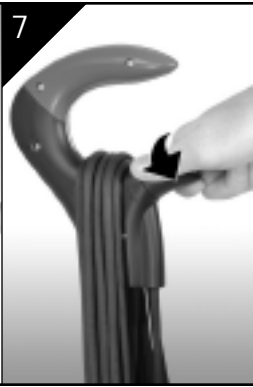
HYPO-ALLERGENIC FILTERING SYSTEM

• **IMPORTANT!**  
• **SAVE THIS BOOKLET!**

Includes:

- Safety Warnings
- Warranty
- Operating Instructions
- Trouble Diagnosis
- Accessories





**BEFORE OPERATING CLEANER,  
READ ALL INSTRUCTIONS IN  
THIS MANUAL CAREFULLY.**

**Table of Contents**

Maintenance and Customer Service, Polarized Plug Notice, Important Safety Instructions . . . . .	page 3
Warranty, Troubleshooting Guide . . . . .	page 4
Parts List, Assembly, Operating Instructions, General Information . . . . .	page 5
General Information cont., To Replace Filter Dust Bag, Bulb Replacement, How to Replace a Worn Belt, To Adjust or Replace Brush . . . . .	page 6
Edge Brush Replacement, Motor Filter and Oreck Fresh Air® Scent Cartridge Replacement, Using an Oreck Fresh Air® Tab, Stuffing or Blockage . . . . .	page 7

**Maintenance and Customer Service**

Your Oreck vacuum cleaner is a product of precise engineering. The motor bearings are permanently lubricated and should not be oiled. If you require additional information or have problems with your Oreck appliance, you may call ORECK customer service at:

**US: 1-800-989-3535 Canada: 1-888-676-7325**

Please specify the model number and serial/code number which can be found on the data plate on the back of the vacuum.

Save your sales or purchase slip. Should your Oreck appliance require warranty service in the U.S.A., present this slip to the Authorized Service Center as your proof of purchase date or, in Canada, call customer service.

**Polarized Plug Notice**

This product is equipped with a polarized alternating current line plug (a plug having one blade wider than the other). This plug will fit into the power outlet only one way. This is a safety feature. If you are unable to insert the plug fully into the outlet, try reversing the plug. If the plug should still fail to fit, contact an electrician to replace the obsolete outlet. Do not defeat the purpose of the polarized plug.

**Accessories (Sold Separately)**

ITEM	PART #
1. Dust Bag, 8 Pack, Saniseal® Hypo-Allergenic	CCPK8DW
2. Belts, 3 Pack	0300604
3. Fresh Air® Scent Cartridges Notes of Vanilla®, 8pk. Spring Mullberries®, 8pk. Blooming Jasmine®, 8pk.	FA1PK FA2PK FA3PK
4. Light Bulb	77051-01
5. Exhaust Filter, 4pk.	EF4PK
6. 24" Lambs Wool Duster	ORD24

**IMPORTANT SAFETY  
INSTRUCTIONS**

When using an electrical appliance, basic precautions should always be followed, including the following:

READ ALL INSTRUCTIONS BEFORE  
USING THIS VACUUM CLEANER



**WARNING**

To reduce the risk of fire,  
electric shock, or injury:

- Do not leave appliance unattended when plugged in. Unplug from outlet when not in use and before servicing.
- Do not use outdoors or on wet surfaces.
- Do not operate the unit while in the upright and locked position.
- Do not let the unit run while in any one stationary position for any period of time. Keep the unit moving while in operation.
- Do not allow to be used as a toy. Close attention is necessary when used by or near children.
- Use only as described in this manual. Use only manufacturer's recommended attachments.
- Do not use with damaged cord or plug. If appliance is not working as it should, has been dropped, damaged, left outdoors, or dropped into water, return it to a service center or call customer service at: **US: 1-800-989-3535 Canada: 1-888-676-7325.**
- Do not pull or carry by cord, use cord as a handle, close door on cord, or pull cord around sharp edges or corners. Keep cord away from heated surfaces.
- Do not run appliance over cord.
- Do not unplug by pulling on cord. To unplug, grasp the plug, not the cord.
- Do not handle plug or appliance with wet hands.
- Do not put any object into openings. Do not use with any opening blocked; keep free of dust, lint, hair and anything that may reduce air flow.
- Keep hair, loose clothing, fingers and all parts of body away from openings and moving parts.
- Do not use to pick up anything that is burning or smoking, such as cigarettes, matches, or hot ashes.
- Do not use without filter bag assembly in place.
- Turn off all controls before unplugging.
- Use extra care when cleaning on stairs.
- Do not use to pick up flammable or combustible liquids, such as gasoline or lighter fluid, or use in areas where they may be present.
- Do not use appliance in an enclosed space where flammable, explosive or toxic vapors are given off by oil base paint, paint thinner, some mothproofing substances, or in an area where flammable dust is present.
- Do not pick up toxic material such as chlorine bleach, drain cleaner, gasoline, etc. with this appliance.
- Use caution when vacuuming over area rug edges and fringe.

**SAVE THESE INSTRUCTIONS  
Household Use Only**

## Warranty

ORECK MANUFACTURING COMPANY: (Oreck Manufacturing Company gives you the following limited warranty for this product only if it was originally purchased for residential use, not resale from Oreck or an Oreck Authorized Retail Dealer.)

Oreck will repair or replace, free of charge, to the original purchaser, any part that is found to be defective in material or workmanship within ten (10) years of the date of purchase. This limited warranty applies to normal domestic use. Any commercial use of this product will void this limited warranty.

This limited warranty does not cover the replacement of expendable or consumable parts such as belts, brushes, bulbs, disposable bags and other parts subject to normal wear unless they are defective in material or workmanship.

This limited warranty does not apply to any part subjected to accident, abuse, commercial use, alteration, misuse, damage caused by act of God, the use of voltages other than indicated on the serial number displayed on this product or service of this product by other than Oreck or a participating Factory Authorized Service Center.

Oreck does not authorize any person or representative to assume or grant any other warranty obligation with the sale of this product.

Oreck's limited warranty is valid only if you retain proof of purchase from Oreck or an Oreck Authorized Retail Dealer for this product. If you purchase this product from any other source, your purchase is "AS IS," which means Oreck grants you no warranty, and that you, not Oreck, assume the entire risk of the quality and performance of this product, including the entire cost of any necessary servicing or repairs of any defects.

Oreck's liability for damages to you for any costs whatsoever arising out of this statement of limited warranty shall be limited to the amount paid for this product at the time of original purchase, and Oreck shall not be liable for any direct, indirect, consequential or incidental damages arising out of the use or inability to use this product.

Some states do not allow the exclusion or limitation of incidental or consequential damages, so the above limitation or exclusion may not apply to you.

ALL EXPRESS AND IMPLIED WARRANTIES FOR THIS PRODUCT, INCLUDING IMPLIED WARRANTIES OF MERCHANTABILITY AND FITNESS FOR A PARTICULAR PURPOSE, ARE LIMITED IN DURATION TO THE WARRANTY PERIOD, AND NO WARRANTIES, WHETHER EXPRESS OR IMPLIED, WILL APPLY AFTER THIS PERIOD.

Some states do not allow limitations on the duration of implied warranties, so the above limitation may not apply to you.

This warranty gives you specific legal rights, and you may also have other rights which vary from state to state.

**If appropriate, see additional information for extended warranty.**

## Troubleshooting Guide



**WARNING: Unplug cord from electrical outlet before servicing.**

### SAVE SERVICE CALLS...CHECK THESE FIRST:

- Is the disposable filter dust bag full?
- Are pores of filter dust bag clogged with powder or fine dust?
- Is anything clogging the revolving brush, lower tube, intake opening, fan housing or connector assembly opening?
- Is the belt in place and turning the brush?
- Are the brush ends in the proper location?
- Does the brush turn freely? Are hair, string or rug fibers wound around the brush?

PROBLEM	POSSIBLE SOURCE	AREAS TO CHECK
<b>CLEANER WILL NOT RUN</b>	Not plugged in properly.	Be sure cleaner is firmly plugged into wall outlet.
	No electricity in wall outlet.	Check electrical source—fuse or circuit breaker.
<b>CLEANER DOES NOT PICK UP</b>	Filter bag is full.	Replace filter bag. See "To Install Paper Filter Dust Bag."
	Nozzle or intake pivot clogged.	Clear obstruction.
	Belt is broken or stretched.	Replace belt.
	Brush is worn.	See "To Adjust or Replace Brush"
	Bag tube clogged.	Clear obstruction.
	Bag pores are clogged with fine dust.	Change bag.
	Impeller fan is broken.	Return to Service Center for repair.
Revolving brush is not even at both ends.	Check bearing seal. Make sure words "normal" or "special" match at each end.	

**ALL OTHER SERVICING SHOULD BE DONE BY AN ORECK AUTHORIZED SERVICE CENTER.**

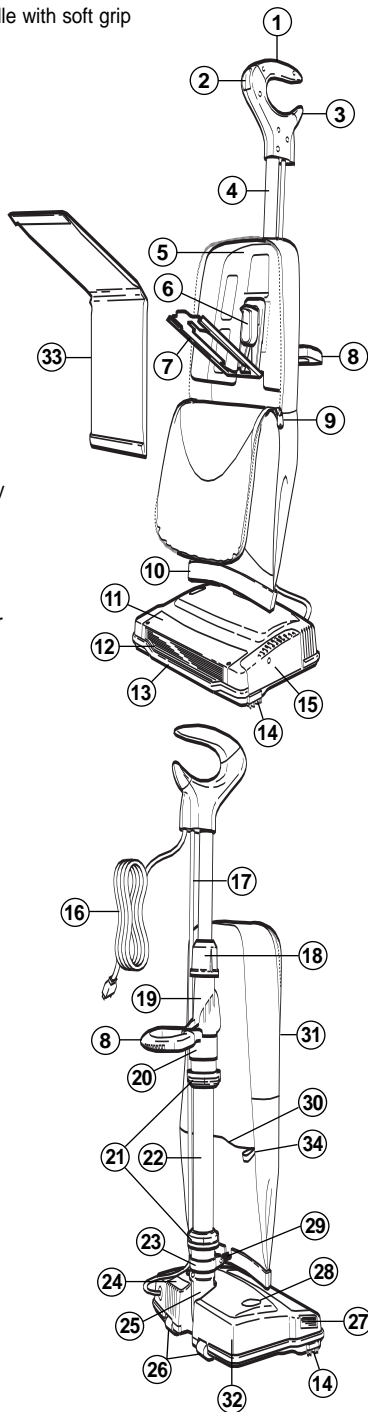
**CALL CUSTOMER SERVICE HOT LINE**  
**US: 1-800-989-3535 Canada: 1-888-676-7325**

Whenever calling, please be sure to have your model and serial number from data plate.

**Parts List**

To assist you in identifying components of your vacuum, the parts have been numbered as follows:

- 1 Helping Hand® handle with soft grip
- 2 On/off switch
- 3 Cord dump
- 4 Handle tube
- 5 Bag stiffener
- 6 Deflector
- 7 Bag dock
- 8 Carry handle
- 9 Zipper
- 10 Bag clip
- 11 Headlight cover
- 12 Front light lens
- 13 Main bumper
- 14 Edge brush
- 15 Belt door
- 16 Power cord
- 17 Cord assembly
- 18 Handle collar
- 19 Connector assembly
- 20 Carry handle clamp
- 21 Collars
- 22 Lower tube
- 23 Bag clip clamp
- 24 Scent cartridge door
- 25 Fan housing
- 26 Rear wheels
- 27 Side light
- 28 Cover
- 29 Bag spring
- 30 Bag pocket
- 31 Outer bag
- 32 Power nozzle
- 33 Inner filter bag
- 34 Duster loop



**Assembly**

- fig. 1 Align slot in handle tube with tab in connector. Insert the handle tube into connector. Tighten collar at base of handle tube onto the connector until it locks, "snaps".
- fig. 2 Snap cord assembly into the cord clip located on the left side of the collar. Leave excess cord at the power head to allow movement.

**Operating Instructions**

Make sure disposable paper filter dust bag is in place. **DO NOT** operate the cleaner without a paper filter dust bag. Plug the power cord into an electrical outlet and press the **On Low (I) - On High (II) - OFF(O)** switch on handle assembly when ready to operate.

**Up-Position Lock**

fig. 3 Place foot on power head and lean handle back gently to release lock for vacuum use. Return handle to the full upright position to engage lock.

**NOTE:** Do not operate the unit while in the upright and locked position. Do not let the unit run while in any one stationary position for any period of time. Keep the unit moving while in operation.

**Carry Handle**

fig. 4 Raise the carry handle located on back of the unit for easy lifting, carrying, and stair vacuuming. Lower the handle during use to eliminate obstruction.

**Duster Loop**

fig. 5 For convenient use of dusters, a loop has been sewn onto the outer bag. This will allow easy removal and storage of the duster.

**For Easy Power Cord Storage**

fig. 6 Raise carrying handle and wrap power cord around carry handle and Helping Hand® handle.

fig. 7 To release cord, twist cord dump located on Helping Hand® handle 1/2 turn. Slide cord off handle. (fig. 8)

**Cleaner Storage**

Both the Helping Hand® handle and carry handle can be used for convenient, space saving storage of cleaner. Hang cleaner by carry handle on a sturdy fastener or Helping Hand® handle on a closet rod.

**Operating Recommendations**

This new ORECK XL21 High-Speed Upright is one of the finest, fastest, and strongest units in its class. You'll love the way it cleans, gets under things, and it's SO lightweight and easy to use.

The following are a few simple suggestions regarding its operation:

- 1. When inserting a new disposable paper filter dust bag—FIRST PUFF OUT and OPEN THE BAG.
- 2. When the disposable filter dust bag is full, REPLACE IT.
- 3. If at any time the machine does not pick up properly or makes an unusual noise, STOP OPERATION and service.
- 4. Although your upright will pick up pins, paper clips, and other small objects, it is recommended that these be removed from the floor before you vacuum. Failure to do so may result in permanent damage to the motor suction fan and its housing.
- 5. **WARNING:** Do not use your vacuum cleaner on damp or wet surfaces. This will cause damage to the vacuum cleaner and is dangerous to the user. Damage caused by use on wet or damp surfaces is not covered under warranty.
- 6. **REPLACE THE BELT EVERY 6 MONTHS, SCENT CARTRIDGE EVERY MONTH, AND MOTOR FILTER EVERY 2 MONTHS.**
- 7. Change the disposable filter dust bag at least once a month—even if it is not full! The collected dust in the dust bag can cause odor, attract moisture, and can affect the efficiency of the cleaner.
- 8. **DO NOT** run the vacuum cleaner over the cord. The revolving brush could damage the cord.

**General Information**

The performance of your new cleaner greatly depends upon care and maintenance. The instructions in this manual will guide you in performing basic care and maintenance. To obtain the most satisfying years of service read the instructions and keep them handy for future reference.

### Disposable Paper Filter Dust Bags

Disposable paper filter dust bags play a very important role in the efficiency of your ORECK vacuum cleaner. The purpose of the filter bag is to trap dirt, but at the same time it must be porous enough to allow air to pass through. If the filter bag becomes clogged, no air can pass through the cleaner and cleaning cannot take place, regardless of the cleaner's power.

To keep your cleaner operating at maximum efficiency, change the dust bag frequently. **DO NOT FILL ABOVE THE LINE INDICATED ON THE DUST BAG.**

Be sure the disposable paper filter dust bag is installed properly.

**All paper dust bags are not the same. Your ORECK disposable dust bags have been designed to be used with the ORECK cleaner. Using bags other than genuine ORECK disposable bags will affect the cleaning ability of your cleaner and could cause damage to it.**

### HEPA-Celoc® Hypo-Allergenic Filter System

The HEPA-Celoc outer bag of your vacuum cleaner is high filtration medical material designed to filter the smallest of dust particles. It is important the inside of the outer bag be cleaned. Vacuum the inside of the outer bag or hand wash, turned inside out, with warm water, and air dry. If desired, the HEPA-Celoc outer bag can be replaced for renewed efficiency. The Celoc layered disposable inner dust bag must be replaced once a month even if it is **not** full. Change it more often if it is used in extremely dirty areas. **Increase the cleaning power of your vacuum by changing the bag often.**

### The Belt

The belt on your vacuum cleaner controls the speed of the revolving brush and is very important for the effective operation of the cleaner. If the belt becomes stretched or cut, it will cause the revolving brush to stop completely or slow down. See instructions in the manual for replacing belt.

**An extra belt is stored in the baseplate of your cleaner. When buying replacement belts, use ONLY ORECK genuine belts. Belts other than Oreck belts will not operate the revolving brush correctly and may create undue stress which will cause damage to the motor and brush bearings. Using belts other than ORECK belts will void the warranty.**

### Motor Filter

The motor filter is used to filter tiny particles released by the motor exhaust while in operation. The motor filter is not necessary for operation but is helpful in removing contaminants from the air.

**NOTE:** Motor filter should be replaced every two months for best performance.

### Oreck Fresh Air® Cartridges

A fresh air cartridge adds a desired fragrance to the air while vacuuming. It is placed behind the motor filter and uses heat and air generated from the motor to spread the fragrance.

**NOTE:** Cartridge should be replaced every month when filter dust bag is replaced or as desired.

### Lubrication

The vacuum cleaner motor bearings are factory lubricated and sealed. Further lubrication is not required.

### General Cleaner Care

**fig. 9** At least once a month, check for and remove excessive lint, string or hair from revolving brush. Patented cleaning grooves on brush roll will allow easier cleaning.

Wipe the outside of the cleaner with a damp cloth. Also clean the connector deflector assembly area, base of cleaner and fan housing area. If there is dust in the outer bag, vacuum it or shake it out.

A little preventative maintenance will keep your cleaner looking new and will ensure continued cleaning effectiveness.

**CAUTION—Wood Floors, Soft (Vinyl, Asphalt Tile, etc.) Floor**

### Surfaces and Polished Floor Finishes

Use floor and floor finish manufacturer's recommended methods of cleaning. The metal strip on the base of the cleaner could be damaged if used on concrete or abrasive surfaces, and, therefore, cause damage to wood floors, soft (vinyl, asphalt tile, etc.) floor surfaces and polished floor finishes. The roller brush may also scuff very soft finishes. Do not operate the unit while in the upright and locked position. Do not let the unit run while in any one stationary position for any period of time. Keep the unit moving while in operation.

### To Replace Filter Dust Bag



**WARNING: Unplug cord from electrical outlet before servicing.**

#### BAG REMOVAL:

**fig. 10** Unzip outer bag completely.

**fig. 11** Pull bag cardboard collar to release bag dock door from connector. Bag dock door will hinge downward.

**fig. 12** Gently pull bag cardboard collar upward out of the bag dock. Saniseal® dust seal will close automatically.

#### BAG INSTALLATION:

**fig. 13** Slide the cardboard collar completely onto bag dock door.

**fig. 14** Firmly push bag dock door with both thumbs on indication point until it snaps.

### Bulb Replacement



**WARNING: Unplug cord from electrical outlet before servicing.**

**fig. 15** Remove lamp housing by removing two (2) screws in the top of the lamp housing. Pull burned out bulb from holder and replace with new bulb. Replace lamp housing by replacing two screws in the top of the lamp housing.

### How to Replace a Worn Belt



**WARNING: Unplug cord from electrical outlet before servicing.**

**fig. 16** Remove the replacement belt from the storage channel.

**fig. 17** Remove the door by removing the hold down screw located on side of power head.

**fig. 18** Fold door away from the power head and lift it away.

**fig. 19** Remove the belt from the motor drive shaft and brush roll pulley.

**fig. 20** Loop the new belt over the brush roll pulley. Place the opposite end of the belt on the motor drive shaft.

**fig. 18** Replace the door by placing the bottom tab on door into slots located inside power head and pressing the door closed.

**fig. 17** Replace the hold down screw and tighten.

### To Adjust or Replace Brush



**WARNING: Unplug cord from electrical outlet before servicing.**

Your Oreck Vacuum comes with the brush roll set at the **NORMAL** position for most types of carpets. When using vacuum primarily on Berber Carpets, adjust brush roll to the **SPECIAL** setting.

**fig. 21** Remove the base plate by removing 5 screws. Then, remove the belt and brush roll from the housing.

**fig. 22** Rotate both end cards of the brush roll to show "**SPECIAL**" and replace in the holding channels of the housing.

**fig. 23** **NOTE:** The one marked "**SPECIAL**" has **several ribs** on top of the end card.

**fig. 24** The brush end card setting marked "**NORMAL**" has **one rib**. When rotating bearings, make sure both end card assembly settings are the same and face up when replacing the brush roll.

**fig. 21** Reassemble the belt and the baseplate.

## Edge Brush Replacement



**WARNING: Unplug cord from electrical outlet before servicing.**

**fig. 25** Turn the power head over. With baseplate facing up, remove the screw located in the center of each edge brush. Remove both edge brushes and replace with new ones. Replace both screws and tighten.

## Motor Filter and Oreck Fresh Air® Scent Cartridge Replacement



**WARNING: Unplug cord from electrical outlet before servicing.**

The Motor Filter located at the back of the power head should be replaced **every 2 months**. The Scent Disk should be replaced **every month** when changing the inner filter bag.

**fig. 26** Press two locking tabs on cartridge cover and remove the cover.

**fig. 27** Remove the cartridge holder by lifting on tab at top of holder.

**fig. 28** Remove old filter or scent disk from holder. Replace filter or scent disk and reinsert holder.

Replace cover by aligning tabs on cover with slots in housing and pressing the cover in place until cover tabs lock.

## Using An Oreck Fresh Air® Tab

**fig. 29** Your ORECK XL21 vacuum cleaner has a special FRESH AIR® tab pocket. This light-colored pocket is located inside the vinyl bag in the area where the paper disposable bag attaches to the intake tube. Insert tablet in pocket if desired.

## Stuffing or Blockage

**IMPORTANT:** On plush and new carpets, stuffing may occur inside the the intake tube and the lower tube assembly. This is due to excessive fuzz and loose cuttings in the carpet. Stuffing could occur for the first few cleanings until all the loose material is removed. Due to the high efficiency of the cleaner, many older carpets will cause stuffing when the cleaner is first used on them. If your vacuum cleaner does not pick up properly, or makes unusual noise and the outer bag does not fluff up or balloon open, follow these steps:



**WARNING: Unplug cord from electrical outlet before servicing.**

**fig. 30** Check for blockage at the mouth of the intake opening. If there is blockage, remove it with long-nose pliers, a screwdriver or coat hanger. If you can not reach the blockage, remove baseplate. (**fig. 21**)

**fig. 31** If the blockage is not at the base, remove lower tube. Unhook retainer spring, releasing bottom of bag.

**fig. 32** Twist lower collar counterclockwise to slide up. Pull tube out of base.

**fig. 33** Check for blockage. If blockage is in the tube, remove with a coat hanger.

**fig. 34** If tube is not blocked, look into fan housing. Remove debris with long-nose pliers, a screwdriver or coat hanger.

**fig. 32** To reassemble, check O-ring on tube, and replace if damaged. Replace tube by first lining up slot at base of tube with tab inside fan housing. Insert tube and push down until the tube is seated. Make sure O-ring is in place against fan housing opening. Replace and tighten collar until collar locking tabs are locked in place. Reattach bag spring. (**fig. 31**)

**fig. 35** Many times blockage occurs due to a full dust bag causing dirt to back down the air flow system. When that happens, the blockage will be at the top of the system, starting in the area where the dust bag connects to the connector assembly.

**NOTE:** If the above actions do not correct the problem, contact an Oreck authorized service center or call the customer service center.

**US: 1-800-989-3535 Canada: 1-888-676-7325**



**ORECK<sup>®</sup> XL**

SIMPLY AMAZING<sup>®</sup>

GUIDE D'UTILISATION  
F R A N Ç A I S



**XL21**

**600 ECB • 600 ECC**

ASPIRATEUR VERTICAL RAPIDE A VEC  
SYSTÈME DE NETTOYAGE

**HEPA  
CELOC**

HYPO-ALLERGENIC FILTERING SYSTEM

**• IMPORTANT •  
CONSERVEZ CE FASCICULE**

**Comprend:**

Avertissements de sécurité  
Garantie  
Mode d'emploi  
Guide de dépannage  
Accessoires

**AVANT D'UTILISER L'ASPIRATEUR,  
LIRE ATTENTIVEMENT TOUTES LES  
INSTRUCTIONS DE CE MANUEL.**

### Table des matières

Entretien et service à la clientèle, Avis de fiche polarisée, Accessoires . . . . .	page 8
Consignes de sécurité importantes, Garantie . . . . .	page 9
Guide de dépannage, Liste de pièces, Assemblage . . . . .	page 10
Mode d'emploi, Informations générales . . . . .	page 11
Remplacement du sac à poussières filtrant, Remplacement de l'ampoule électrique, Remplacement d'une courroie usée, Réglage ou remplacement du balai, Remplacement du cylindre brosseur, Remplacement du filtre moteur et de la cartouche Fresh Air <sup>®</sup> , . . . . .	page 12
Utilisation d'une tablette Oreck Fresh Air <sup>®</sup> , Blocage ou bourrage, . . . . .	page 13

### Entretien et service à la clientèle

Votre aspirateur ORECK est un produit utilisant des mécanismes précis. Les paliers du moteur sont lubrifiés de façon permanente et ne doivent pas être huilés. Si vous avez besoin d'informations supplémentaires ou si vous avez des problèmes avec votre appareil ORECK, vous pouvez appeler le service à la clientèle ORECK au: **US: 1-800-989-3535**  
**Canada: 1-888-676-7325**

Veillez indiquer le numéro de modèle et le numéro de série/code apparaissant sur la plaque signalétique derrière l'aspirateur.

Conservez votre reçu de vente ou de caisse. Si votre appareil ORECK a un jour besoin d'une réparation sous garantie aux États-Unis, présentez ce coupon au centre autorisé de service après-vente comme preuve d'achat datée. Au Canada, appelez le service à la clientèle.

### Avis de fiche polarisée

Ce produit est équipé d'une fiche polarisée à courant alternatif (avec une patte plus large que l'autre). Cette fiche ne peut être insérée dans une prise électrique que dans un seul sens. Il s'agit d'un dispositif de sécurité. Si vous n'arrivez pas à insérer complètement la fiche dans un sens, essayez de la retourner. Si la fiche n'entre toujours pas, demandez à un électricien de remplacer votre ancienne prise. Ne tentez pas d'altérer la fiche polarisée.

### Accessoires (Vendu Séparément)

ITEM	PART #
1. 8 Sacs à poussière Saniseal <sup>®</sup> Hypoallergiques	CCPK8DW
2. 3 Courroies	0300604
3. Cartouches odorantes Fresh Air <sup>®</sup> Notes of Vanilla <sup>®</sup> (vanille), paquet de 8 Spring Mullberries <sup>®</sup> (épices), paquet de 8 Blooming Jasmine <sup>®</sup> (jasmin), paquet de 8	FA1PK FA2PK FA3PK
4. Ampoule d'éclairage	77051-01
5. Filtre d'évacuation, paquet de 4	EF4PK
6. Chiffon à poussière en laine d'agneau de 61 cm (24")	ORD24

## CONSIGNES DE SÉCURITÉ IMPORTANTES

Lorsque vous utilisez un appareil électroménager, vous devez toujours prendre certaines précautions de base, y compris les suivantes:

LIRE TOUTES LES INSTRUCTIONS AVANT  
D'UTILISER CET ASPIRATEUR



### AVERTISSEMENT

Pour réduire les risques d'incendie,  
d'électrocution et de blessure:

- Ne jamais laisser l'appareil branché sans surveillance. L'appareil doit être débranché après chaque utilisation et avant toute réparation.
- Ne jamais utiliser à l'extérieur ou sur une surface humide.
- Ne faites pas fonctionner l'unité dans la position verticale verrouillée.
- Le faites pas fonctionner l'unité pendant une longue période en position stationnaire. Continuez de déplacer l'unité lorsqu'elle est en marche.
- Ne doit pas servir de jouet. Une surveillance attentive est nécessaire lorsque l'appareil est utilisé par ou à proximité d'un enfant.
- Utilisez uniquement selon les instructions figurant dans ce manuel. Utiliser uniquement les accessoires recommandés par le fabricant.
- Ne jamais utiliser si le cordon d'alimentation ou la fiche de connexion sont endommagés. Si l'appareil ne fonctionne pas normalement, s'il a été échappé, s'il a été endommagé, s'il a été laissé à l'extérieur ou s'il est tombé dans l'eau, il faut le retourner à un centre de service après-vente ou appeler le service à la clientèle au:  
**US: 1-800-989-3535 Canada: 1-888-676-7325**
- Ne jamais tirer ou transporter l'appareil par le cordon d'alimentation, ni utiliser le cordon en guise de poignée, ni fermer une porte sur le cordon, ni tirer le cordon autour d'un coin à angle pointu. Garder le cordon à l'écart des surfaces chaudes.
- Ne pas faire avancer l'appareil sur le cordon.
- Ne jamais débrancher l'appareil en tirant sur le cordon. Pour débrancher, saisir la fiche et non le cordon.
- Ne jamais manipuler la fiche de connexion et l'appareil avec les mains humides.
- Ne jamais insérer d'objet dans les ouvertures. Ne pas utiliser si des ouvertures sont bloquées. Elles doivent être exemptes de poussière, de charpie, de cheveux et de toute autre substance pouvant réduire le débit d'air.
- Garder les cheveux, les vêtements amples, les doigts et toutes les parties du corps à bonne distance des ouvertures et des pièces mobiles.
- Ne jamais utiliser pour ramasser des substances chaudes ou fumantes, comme des cigarettes, des allumettes ou des cendres chaudes.
- Ne jamais utiliser sans sac filtrant.
- Avant de débrancher, arrêter toutes les commandes.
- Redoubler de prudence lors du nettoyage d'escaliers.
- Ne jamais utiliser pour ramasser des liquides inflammables ou combustibles, comme de l'essence à moteur ou à briquet.
- Ne jamais utiliser l'appareil dans un espace clos où se dégage des vapeurs inflammables, explosives ou toxiques provenant d'une peinture à l'huile, d'un diluant à peinture, de substances antimites, ni dans un espace où il y a des poussières inflammables.
- Cet appareil ne doit jamais servir à ramasser des substances toxiques comme la Javel, les produits de débouchage, l'essence, etc.

CONSERVER CES INSTRUCTIONS  
Usage ménager uniquement

## Garantie

ORECK MANUFACTURING COMPANY : (La société ORECK vous offre avec ce produit la garantie limitée suivante, uniquement s'il a été acheté auprès de la société ORECK ou d'un revendeur autorisé ORECK pour l'utiliser et non pour le revendre.)

Oreck s'engage à réparer ou remplacer, à titre gratuit, en faveur du premier acheteur, toute pièce qui s'avèrerait défectueuse en matériel ou en main-d'œuvre dans les dix (10) ans suivant la date d'achat. Cette garantie limitée n'est valable que pour un usage à la maison. Tout usage commercial annulera la garantie.

Les courroies d'entraînement, les balais rotatifs, les ampoules électriques, les sacs jetables et les autres pièces sujettes à l'usure ne sont pas couvertes par cette garantie limitée.

Cette garantie limitée ne couvre pas les pièces victimes d'un accident, d'un usage abusif, à l'utilisation commerciale d'abus, d'une modification, d'une mauvaise utilisation, de dommages causés par un incendie ou une catastrophe naturelle, ainsi que les appareils utilisés avec une tension électrique autre que celle indiquée sur leur plaque signalétique, ni les appareils réparés à l'extérieur de la société ORECK ou d'un centre de service après-vente ORECK.

La société ORECK n'autorise aucune personne et aucun représentant à accorder ou offrir d'autres clauses de garantie avec ce produit.

La garantie limitée ORECK est valable uniquement si vous conservez une preuve d'achat de la société ORECK ou d'un revendeur autorisé ORECK. Si vous achetez ce produit ailleurs, vous l'achetez « en l'état », ce qui signifie que la société ORECK ne vous accorde alors aucune garantie. Dans ce cas, vous assumez tout le risque relatif à la qualité et aux performances de ce produit, ce qui comprend tous les frais de réparation et de correction d'éventuels défauts.

La responsabilité de la société ORECK pour d'éventuels dommages subis par vous ou relativement aux frais qui découlent de cet énoncé de garantie limitée ne peut dépasser le montant payé pour ce produit lors de son achat original. La société ORECK ne peut être tenue responsable de tout dommage direct ou indirect relatif à l'utilisation ou à l'incapacité d'utiliser ce produit.

Puisque certains États ou provinces interdisent l'exclusion ou la restriction des dommages indirects, il est possible que l'exclusion ou la restriction ci-dessus ne s'applique pas à vous.

TOUTE GARANTIE EXPRESSE OU IMPLICITE RELATIVE À CE PRODUIT, Y COMPRIS LES GARANTIES IMPLICITES DE QUALITÉ COMMERCIALE OU DE CONVENANCE À UN USAGE QUELCONQUE, S'APPLIQUE PENDANT UNE DURÉE ÉQUIVALENTE À LA PÉRIODE DE GARANTIE ET AUCUNE GARANTIE EXPRESSE OU IMPLICITE NE POURRA S'APPLIQUER APRÈS CETTE PÉRIODE.

Puisque certains États ou provinces ne permettent pas les restrictions sur la durée des garanties implicites, il est possible que la restriction ci-dessus ne s'applique pas à vous.

Cette garantie vous accorde des droits juridiques précis et il est également possible que vous ayez d'autres droits dépendant de votre lieu de résidence.

**S'il y a lieu, reportez-vous aux informations supplémentaires  
sur la garantie étendue.**

## Guide de dépannage



**AVERTISSEMENT: Avant d'exécuter cette opération, débranchez le cordon d'alimentation de la prise murale.**

**NE CONSULTEZ PAS INUTILEMENT UN RÉPARATEUR...  
VÉRIFIEZ D'ABORD CE QUI SUIT:**

- Est-ce que le sac jetable en papier filtre est plein?
- Est-ce que les pores du sac filtrant sont bouchés avec de la poudre ou de la poussière fine?
- Quelque chose bloque-t-il le balai tournant, le tube inférieur, l'ouverture d'admission, le ventilateur ou l'ouverture du connecteur?
- Est-ce que la courroie est en place et fait tourner le balai?
- Est-ce que les extrémités du balai sont correctement placées?
- Est-ce que le balai tourne librement? Y a-t-il des cheveux, des fils ou des fibres de moquette enroulées autour du balai?

PROBLÈME	CAUSE POSSIBLE	VÉRIFICATIONS
<b>L'ASPIRATEUR NE FONCTIONNE PAS</b>	L'appareil est mal branché.  Aucune électricité n'arrive à la prise murale.	Assurez-vous que l'aspirateur est correctement branché dans la prise murale.  Vérifiez le fusible ou le disjoncteur du circuit utilisé.
<b>L'ASPIRATEUR NE RAMASSE PAS LES SALETÉS</b>	Le sac filtrant est plein.  Blocage au niveau du bec d'aspiration ou du pivot d'admission. La courroie est endommagée ou étirée. Le balai est usé.  Le tube du sac est bouché. Les pores du sac sont bouchés par de la poussière fine. Le ventilateur d'aspiration est défectueux. Le balai rotatif n'est pas à égalité aux deux extrémités.	Remplacez le sac filtrant (voir «Installation du sac à poussières en papier filtre») Dégagez les blocages.  Remplacez la courroie.  Remplacez le balai si les poils ne dépassent pas le bord de la plaque de base. Dégagez le blocage.  Remplacez le sac.  Retournez l'appareil au centre de réparation. Vérifiez le joint des paliers. Assurez-vous que les mots «normal» ou «special» correspondent à chaque extrémité.

**TOUTES LES AUTRES RÉPARATIONS DOIVENT ÊTRE FAITES DANS UN CENTRE DE RÉPARATION AUTORISÉ.**

**APPELEZ LE SERVICE TÉLÉPHONIQUE GRATUIT  
D'ASSISTANCE À LA CLIENTÈLE**

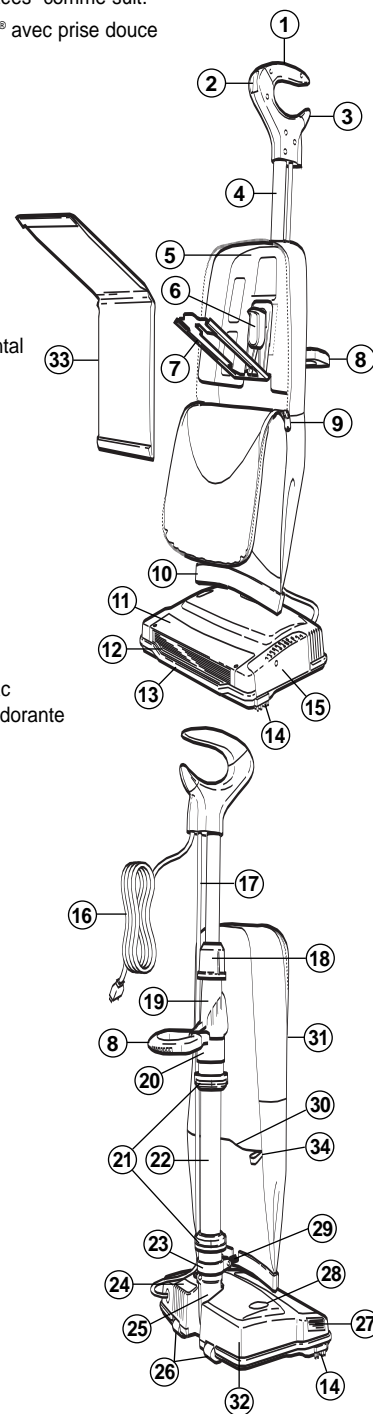
**US: 1-800-989-3535 Canada: 1-888-676-7325**

Lorsque vous téléphonez, n'oubliez pas de noter le numéro de modèle et le numéro de série de l'appareil, lesquels figurent sur sa plaque signalétique.

## Liste de pièces:

Pour vous aider à identifier les composants de votre aspirateur, les pièces ont été numérotées comme suit:

- 1 Poignée Helping Hand® avec prise douce
- 2 Interrupteur principal
- 3 Crochet pour cordon d'alimentation
- 4 Tube de poignée
- 5 Raidisseur de sac
- 6 Déflecteur
- 7 Berceau de sac
- 8 Poignée de transport
- 9 Fermeture à glissière
- 10 Agrafe de sac
- 11 Couvercle d'éclairage
- 12 Lentille d'éclairage frontal
- 13 Pare-chocs principal
- 14 Brosse de lustrage
- 15 Porte de courroie
- 16 Cordon d'alimentation
- 17 Système du cordon électrique
- 18 Collier de poignée
- 19 Connecteur
- 20 Fixation de poignée de transport
- 21 Colliers
- 22 Tube inférieur
- 23 Fixation d'agrafe de sac
- 24 Trappe de cartouche odorante
- 25 Boîtier du ventilateur
- 26 Roues arrière
- 27 Éclairage latéral
- 28 Couvercle
- 29 Ressort de sac
- 30 Poche de sac
- 31 Sac extérieur
- 32 Tête motorisée
- 33 Sac à poussières en papier filtre
- 34 Boucle pour chiffon à poussière



## Assemblage

**schéma 1** Alignez la fente du tube de poignée avec le taquet du raccord. Insérez le tube de poignée dans le raccord. Serrez le collier à la base du tube de poignée sur le raccord jusqu'à la perception du verrouillage.

**schéma 2** Corde instantanée dans l'agrafe de corde située du côté gauche du collier. Laissez la corde excessive à la tête de puissance pour permettre le mouvement.

## Mode d'emploi

Assurez-vous que le sac à poussière filtrant jetable est bien en place. **NE FAITES PAS** fonctionner le nettoyeur sans son sac à poussière papier. Enfichez l'extrémité du cordon dans une prise secteur et appuyez sur le commutateur de l'assemblage de poignée - **On Low (I) - On High (II) - OFF(O)** – quand vous êtes prêt à démarrer.

### Verrouillage position haute

schéma 3 Placez le pied sur l'électrobrosse et ramenez doucement la poignée en arrière pour relâcher le verrouillage afin de fonctionner en aspirateur. Ramenez la poignée en position complètement haute pour verrouiller à nouveau.

**NOTE:** Ne faites pas fonctionner l'unité dans la position verticale verrouillée. Le faites pas fonctionner l'unité pendant une longue période en position stationnaire. Continuez de déplacer l'unité lorsqu'elle est en marche.

### Poignée de transport

schéma 4 Levez la poignée de transport située à l'arrière de l'appareil pour faciliter son levage, son transport, ou pour aspiration dans un escalier. Rabaissez cette poignée en usage normal pour éliminer la gêne.

### Boucle pour chiffon

schéma 5 Pour une utilisation facile des chiffons à poussière, une boucle a été cousue sur le sac extérieur. Cela permet d'enlever et de replacer facilement le chiffon.

### Rangement facile du cordon

schéma 6 Levez la poignée de transport et enroulez le cordon autour de la poignée de transport et de la poignée Helping Hand®.

schéma 7 Pour relâcher le cordon, tournez d'un demi tour le débrayage de cordon situé sur la poignée Helping Hand® (schéma 8).

### Rangement du nettoyeur

La poignée Helping Hand® comme la poignée de transport peuvent être utilisées pour une rangement commode en espace restreint du nettoyeur. Pendez le nettoyeur par sa poignée de transport sur un piton solide, ou accrochez-le par sa poignée Helping Hand® sur une tringle d'armoire.

### Recommandations de fonctionnement

Ce nouvel aspirateur vertical rapide ORECKXL 21 est l'un des appareils les plus solides, rapides et sophistiqués de sa catégorie. Vous apprécierez sa façon de nettoyer et de passer sous les meubles. Vous constaterez également qu'il est très léger et facile à utiliser.

#### Voici quelques suggestions simples concernant son utilisation:

1. Lorsque vous insérez un nouveau sac à poussières jetable, commencez par le secouer, puis ouvrez-le.
2. Lorsque le sac à poussières jetable est plein, REMPLACEZ-LE.
3. Si l'appareil vient à mal nettoyer ou à produire un bruit inhabituel, DÉBRANCHEZ-LE et faites les réparations nécessaires.
4. Même si votre aspirateur vertical ramasse les épingles à cheveux, les trombones à papier et d'autres petits objets, il est préférable de les ramasser à la main avant de passer l'aspirateur. Autrement, vous risquez d'endommager de façon permanente le mécanisme de succion et son boîtier.
5. **AVERTISSEMENT:** N'utilisez jamais l'aspirateur sur une surface mouillée ou humide. Cela pourrait endommager l'aspirateur et blesser l'utilisateur. Les dommages causés par une utilisation sur une surface mouillée ou humide ne sont pas couverts par la garantie.
6. **REMPLACEZ LA COURROIE TOUTS LES 6 MOIS, LA CARTOUCHE ODORANTE TOUTS LES MOIS, ET LE FILTRE MOTEUR TOUTS LES 2 MOIS.**
7. Remplacez le sac à poussières jetable au moins une fois par mois, même s'il n'est pas plein! Les poussières accumulées dans le sac peuvent dégager des odeurs, attirer la moisissure, favoriser le développement des bactéries et nuire au bon fonctionnement de l'appareil.
8. **Ne passez pas l'aspirateur sur son cordon d'alimentation.** Le balai rotatif pourrait endommager le cordon d'alimentation.

1. Faites attention en nettoyant à l'aspirateur les bords et la frange finis de couverture de zone.

## Informations générales

Les performances de votre nouvel aspirateur dépendent considérablement de l'entretien et des soins que vous lui accordez. Les instructions fournies dans ce manuel vous aideront à exécuter les procédures d'entretien appropriées. Pour que votre appareil fonctionne de façon satisfaisante pendant de nombreuses années, lisez les instructions et gardez-les à portée de main pour référence future.

### Sacs à poussière jetables en papier filtre

Les sacs à poussière jetables en papier filtre sont un élément très important de l'efficacité de votre aspirateur ORECK. Le sac à poussières doit attraper les saletés, mais il doit également être suffisamment poreux pour laisser passer l'air. Si le sac en papier se bouche, aucun air ne peut passer et le nettoyage ne peut se faire, quelle que soit la puissance de l'aspirateur. Vous pouvez augmenter la puissance de nettoyage de votre appareil en remplaçant souvent le sac. Pour que votre aspirateur conserve une efficacité maximale, remplacez fréquemment le sac à poussière. **NE REMPLISSEZ PAS LE SAC AU-DELÀ DE LA LIGNE DE REMPLISSAGE.**

Assurez-vous que le sac à poussières jetable en papier filtre est correctement installé.

**Les sacs à poussière en papier ne sont pas tous identiques. Vos sacs à poussière jetables ORECK ont été spécialement conçus pour les aspirateurs ORECK et l'utilisation de sacs jetables ne portant pas la marque ORECK risque d'affecter la puissance de nettoyage de votre appareil et même de l'endommager.**

### HEPA-Celoc® Système de filtre hypoallergique

Le sac extérieur HEPA-Celoc de votre aspirateur est équipé d'un matériau médical de filtration très fin qui retient les plus petites particules de poussière. Il est essentiel de nettoyer l'intérieur du sac extérieur. Vous pouvez y passer l'aspirateur ou le laver à la main (le sac retourné à l'envers) avec de l'eau tiède, puis le sécher à l'air libre. Pour de meilleurs résultats, le sac extérieur HEPA-Celoc devrait être remplacé une fois l'an. Le sac à poussières intérieur jetable avec couches HEPA-Celoc doit être remplacé une fois par mois, même s'il n'est pas plein. Remplacez-le plus souvent si l'aspirateur est utilisé dans des zones très sales. **Votre aspirateur sera plus puissant si vous remplacez souvent le sac.**

### Courroie

La courroie de votre aspirateur contrôle la vitesse de votre balai rotatif et constitue un élément très important du fonctionnement efficace de l'appareil. Si la courroie s'étire ou se coupe, le balai rotatif ralentira ou s'arrêtera complètement. Pour le remplacement de la courroie, suivez les instructions du manuel.

**Une courroie de rechange est rangée dans la plaque de base de votre aspirateur. Lorsque vous achetez une courroie de rechange, choisissez uniquement une courroie de marque ORECK. Les courroies ne portant pas la marque ORECK ne feront pas fonctionner correctement le balai tournant et peuvent créer une résistance capable d'endommager le moteur et les paliers du balai. L'utilisation d'une courroie ne portant pas la marque ORECK annule la garantie.**

### Filtre moteur

Le filtre moteur est utilisé pour retenir les petites particules soufflées par le moteur en fonctionnement. Ce filtre n'est pas indispensable pour le fonctionnement, mais il est utile pour dépoussiérer l'air ambiant.

**NOTE:** Le filtre moteur doit être remplacé tous les deux mois pour une performance optimale.

### Cartouches Oreck Fresh Air®

Une cartouche Fresh Air ajoute l'arôme choisi dans l'air pendant le cycle d'aspirateur. Elle est placée derrière le filtre moteur et utilise l'air réchauffé soufflé par le moteur pour diffuser le parfum.

**NOTE:** La cartouche peut être remplacée chaque mois au moment du remplacement du sac à poussière filtrant, ou à votre convenance.

## Lubrification

Les paliers du moteur de l'aspirateur ont été lubrifiés en usine et fermés hermétiquement. Aucune lubrification supplémentaire n'est nécessaire.

## Entretien général de l'aspirateur

schéma 9 Au moins une fois par mois, vérifiez le balai rotatif et enlevez-y la charpie, les bouts de fil et les cheveux. **Les rainures brevetées de l'électrobrosse vous facilitent le nettoyage.**

Essuyez l'extérieur de l'aspirateur avec un chiffon humide. Nettoyez également le déflecteur du connecteur, la base de l'aspirateur et le boîtier du ventilateur. S'il y a de la poussière dans le sac extérieur, passez-y l'aspirateur ou secouez-le.

Un peu d'entretien préventif permettra à votre aspirateur de conserver une apparence neuve et une grande efficacité.

### ATTENTION-Planchers, revêtements de sols souples (dalles PVC, carreaux à base de bitume) et sols cirés

Employez les méthodes de finition de sols et revêtements de sols préconisées par le fabricant. La bande métallique à la base de l'aspirateur peut être endommagée en frottant contre du ciment ou une surface abrasive et, par la suite, rayer des sols cirés ou en matières souples (dalles en PVC, carreaux à base de bitume). La brosse peut aussi marquer les finis délicats. Ne pas opérer avec l'appareil verrouillé et en position verticale. Ne pas laisser l'appareil tourner à la même place pendant longtemps. Il faut toujours le déplacer quand le moteur est en marche.

## Remplacement du sac à poussières filtrant



**AVERTISSEMENT: Avant d'exécuter cette opération, débranchez le cordon d'alimentation de la prise murale.**

### ENLÈVEMENT DU SAC:

schéma 10 Ouvrez complètement le sac extérieur.

schéma 11 Tirez le collier carton du sac pour dégager la porte de sac du raccord. La porte de sac va basculer vers le bas.

schéma 12 Tirez doucement le collier carton vers le haut en le sortant du berceau de sac. Le joint d'étanchéité aux poussières Saniseal™ va se fermer automatiquement.

### INSTALLATION D'UN SAC:

schéma 13 Faites glisser le collier en carton sur la porte du sac jusqu'à ce que la patte de fermeture automatique et étanche du sac à poussières soit bloquée dans le trou correspondant.

schéma 14 Placez les deux pouces aux endroits indiqués sur la porte du sac, puis poussez fermement jusqu'au déclic.

## Remplacement de l'ampoule électrique



**AVERTISSEMENT: Avant d'exécuter cette opération, débranchez le cordon d'alimentation de la prise murale.**

schéma 15 Enlevez les deux vis sur le dessus du boîtier de l'ampoule, puis le boîtier de l'ampoule. Retirez l'ampoule brûlée de son réceptacle et remplacez-la par une neuve. Remplacez le boîtier de l'ampoule, puis les deux vis sur le dessus du boîtier.

## Remplacement d'une courroie usée



**AVERTISSEMENT: Avant d'exécuter cette opération, débranchez le cordon d'alimentation de la prise murale.**

schéma 16 Enlevez la courroie de rechange du canal de rangement.

schéma 17 Déposez la porte en enlevant la vis de maintien située sur le côté de l'électrobrosse.

schéma 18 Pliez la porte en l'écartant de l'électrobrosse et enlevez-la.

schéma 19 Enlevez la courroie de l'axe d'entraînement du moteur et de la poulie du cylindre brossier.

schéma 20 Faites passer la nouvelle courroie autour de la poulie du cylindre brossier. Placez l'autre extrémité de la courroie sur l'axe d'entraînement du moteur.

schéma 18 Remettez la porte en place en plaçant ses pattes du bas dans les fentes situées dans l'électrobrosse et en pressant la porte jusqu'à sa fermeture.

schéma 17 Remettez la vis de maintien et serrez-la.

## Réglage ou remplacement du balai



**AVERTISSEMENT: Avant d'exécuter cette opération, débranchez le cordon d'alimentation de la prise murale.**

Le vide de votre Oreck vient avec le roulement de brosse réglé à la position "NORMAL" pour la plupart des types de tapis. En utilisant le vide principalement sur des tapis de Berber, ajustez le roulement de brosse sur la configuration "SPECIAL."

schéma 21 Enlevez les 5 vis de la plaque de base, puis la plaque de base. Enlevez ensuite la courroie et le balai rouleau dans le boîtier.

schéma 22 Faites tourner ensemble les fiches d'extrémité du cylindre brossier pour montrer "SPECIAL" et remplacez dans les canaux de maintien du châssis.

schéma 23 **NOTE:** Celle qui est marquée "SPECIAL" a plusieurs nervures en haut de la fiche d'extrémité.

schéma 24 La position de fiche d'extrémité de brosse marquée "NORMAL" n'a pas de nervures. Quand vous tournez les roulements, assurez-vous que les deux positions de fiches d'extrémité sont les mêmes et sont vers le haut quand vous remplacez le cylindre brossier.

Réassemblez la courroie et la plaque de base.

## Remplacement du cylindre brossier



**AVERTISSEMENT: Avant d'exécuter cette opération, débranchez le cordon d'alimentation de la prise murale.**

schéma 25 Retournez l'électrobrosse. Avec la plaque de base vers vous, enlevez la vis située au milieu de chaque électrobrosse. Enlevez les deux cylindres brossiers et remplacez-les par de nouveaux. Remettez les vis de fixation et serrez-les.

## Remplacement du filtre moteur et de la cartouche Oreck Fresh Air®



**AVERTISSEMENT: Avant d'exécuter cette opération, débranchez le cordon d'alimentation de la prise murale.**

Le filtre moteur situés derrière l'électrobrosse doivent être remplacés tous les **2 mois**. Le disque de parfum devrait être substitué chaque mois en changeant le sachet filtre intérieur.

schéma 26 Appuyez sur les deux loquets de verrouillage de la trappe de cartouche et enlevez la trappe.

schéma 27 Enlevez le support de cartouche en soulevant le loquet sur son sommet.

schéma 28 Enlevez le vieux filtre et la pastille parfumée du support. Remplacez-les et remettez le support en position.

Remettez la trappe en alignant ses loquets avec les fentes du châssis et en pressant dessus jusqu'à son verrouillage.

**Utilisation d'une tablette Oreck Fresh Air®**

schéma 29 Votre aspirateur ORECK XL possède une poche spéciale pour y placer une tablette FRESH AIR. Cette poche de couleur claire est située à l'intérieur du sac en vinyle, là où le sac jetable en papier se fixe au tube d'admission. Insérez la tablette dans la poche.

**Blocage ou bourrage**

**IMPORTANT:** Sur de la peluche et de la moquette neuve, il peut se produire un bourrage dans le tube d'aspiration ou l'ensemble de tube inférieur. Cela est dû à trop de peluches et des bouts de poils de tapis, et cela durera jusqu'à ce que tout le matériau soit enlevé. À la suite de l'efficacité élevée du nettoyeur, beaucoup de tapis plus anciens peuvent aussi causer un bourrage la première fois que l'aspirateur est utilisé pour les nettoyer. Si votre aspirateur ne ramasse pas normalement, ou fait un bruit inhabituel et que le sac extérieur ne se remplit pas ou ne se gonfle pas, suivez les étapes suivantes:

**AVERTISSEMENT:** Avant d'exécuter cette opération, débranchez le cordon d'alimentation de la prise murale.

schéma 30 Vérifiez s'il y a un blocage à l'entrée de l'admission d'air. S'il y a un blocage, enlevez-le avec des pinces à bec long, un tournevis ou un cintre. Si vous ne pouvez pas atteindre le blocage, enlevez la plaque de base. (schéma. 21)

schéma 31 Si le blocage ne se situe pas à la base, enlevez le tube inférieur. Déconnectez le ressort de maintien pour relâcher le bas du sac.

schéma 32 Tournez le collier inférieur dans le sens contraire des aiguilles d'une montre pour le glisser vers le haut. Tirez le tube de la base.

schéma 33 Si le bouchon est dans le tube, retirez-le avec un porte-manteaux.

schéma 34 Si le tube n'est pas bloqué, regardez dans le boîtier du ventilateur. Enlevez les débris avec des pinces à bec long, un tournevis ou un cintre.

schéma 32 Pour le remontage, vérifiez le joint torique du tube, et remplacez-le s'il est endommagé. Remettez en place le tube en alignant d'abord un emplacement à sa base avec un onglet dans le carter de ventilateur. Insérez le tube et poussez dessus jusqu'à sa mise en position. Assurez-vous que le joint torique est placé contre l'ouverture du carter de ventilateur. Remettez et serrez le collier jusqu'à ce que les crans de verrouillage du collier soient fixés en place. Raccrochez le ressort de sac (schéma 31).

schéma 35 Il arrive souvent que des blocages surviennent parce que le sac à poussières est plein et que les saletés refoulent dans le système de circulation d'air. Dans ces situations, le blocage se concentre dans la partie supérieure du système, particulièrement là où le sac à poussières est raccordé au connecteur.

**REMARQUE:** Si les opérations ci-dessus ne corrigent pas le problème, contactez un centre de service autorisé ORECK ou appelez le centre de service à la clientèle. **US: 1-800-989-3535 Canada: 1-888-676-7325**

**ORECK® XL**

SIMPLY AMAZING®

**GUIA DEL USUARIO  
E S P A Ñ O L**



**XL21**  
**600 ECB • 600 ECC**

ASPIRADORA VERTICAL DE ALTA VELOCIDAD  
CON EL SISTEMA DE LIMPIEZA

**HEPA  
CELOC®**  
HYPO-ALLERGENIC FILTERING SYSTEM

**• IMPORTANTE •  
¡GUARDE ESTE FOLLETO!**

**Incluye:**

Advertencias de seguridad  
Garantía

Instrucciones de operación  
Diagnóstico de problemas

Accesorios

**ANTES DE OPERAR LA ASPIRADORA, LEA CON CUIDADO TODAS LAS INSTRUCCIONES INCLUIDAS EN ESTE MANUAL.**

**Indice**

Mantenimiento y servicio a clientes, Aviso de la clavija polarizada, Accesorios, Instrucciones importantes de seguridad . . . . . página 14  
 Garantía, Guía para la identificación de problemas . . . . . página 15  
 Lista de piezas, Ensamblaje, Instrucciones de operación . . . . . página 16  
 Información general, Para reemplazar la bolsa para polvo de filtro, Reemplazo de la bombilla, Cómo reemplazar una correa desgastada . . . . . página 17  
 Para ajustar o reemplazar el cepillo, Reemplazo del cepillo orillador, Reemplazo del filtro del motor y cartucho aromatizador Fresh Air®, Uso de una tableta de Oreck Fresh Air®, Relleno o bloqueo . . . . . página 18

**Mantenimiento y servicio a clientes**

Su aspiradora ORECK es un producto de diseño preciso. Los cojinetes del motor están lubricados permanentemente y no debe ponerles aceite. Si requiere información adicional o si tiene problemas con su aparato ORECK, puede llamar al servicio a clientes de ORECK al:

**US: 1-800-989-3535 Canada: 1-888-676-7325**

Por favor especifique el número de modelo y el número de serie/código, el cual se puede encontrar en la placa de datos en la parte posterior de la aspiradora.

Guarde su recibo de ventas o de compra. En caso que su aparato ORECK necesitara servicio de garantía en los EE. UU., presente este recibo en el centro de servicio autorizado como su comprobante de fecha de compra, o en Canadá, llame a servicio a clientes.

**Aviso de la clavija polarizada**

Este producto viene equipado con una clavija polarizada para línea de corriente alterna (una clavija que tiene una espiga más ancha que la otra). Esta clavija solamente se ajusta de una sola manera en la toma de corriente. Esta es una característica de seguridad. Si no puede insertar la clavija completamente en la toma de corriente, intente invirtiendo la clavija. Si todavía no puede insertarla, llame a un electricista para que reemplace la toma de corriente obsoleta. No le quite el propósito a la clavija polarizada.

**Accesorios (Vendido Por Separado)**

ITEM	PART #
1. Paquete de 8 bolsas para polvo Saniseal®, Hipoalergénica	CCPK8DW
2. Correas, paquete de 3	0300604
3. Cartuchos aromatizadores Fresh Air® Notes of Vanilla®, 8 pqte. Spring Mullberries®, 8 pqte. Blooming Jasmine®, 8 pqte.	FA1PK FA2PK FA3PK
4. Bombilla	77051-01
5. Filtro del escape, 4 pqte.	EF4PK
6. Quitapolvo de lana de cordero 24"	ORD24

**INSTRUCCIONES IMPORTANTES DE SEGURIDAD**

Quando utilice un aparato eléctrico, siempre debe seguir precauciones básicas, incluyendo las siguientes:

LEA TODAS LAS INSTRUCCIONES ANTES DE USAR ESTA ASPIRADORA



**ADVERTENCIA**

Para reducir el riesgo de incendio, descarga eléctrica o lesiones:

- No deje el aparato sin atender cuando esté conectado. Desconéctelo de la toma de corriente cuando no esté en uso y antes de darle servicio.
- No la use en exteriores ni en superficies mojadas.
- No operar la unidad mientras está en posición vertical y trabada.
- No permitir que la unidad funcione mientras esté en cualquier posición fija por cualquier período de tiempo. Mientras esté en funcionamiento, mantener la unidad en movimiento.
- No permita que se use como juguete. Es necesario poner mucha atención cuando la usen los niños o cuando se use cerca de ellos.
- Usela solamente como se describe en este manual. Utilice solamente los aditamentos recomendados por el fabricante.
- No la use con el cordón o clavija dañados. Si la aspiradora no funciona como debería, si se ha caído, dañado, dejado en exteriores, o dejado caer en agua, envíela a un centro de servicio o llame a servicio a clientes al: **US: 1-800-989-3535 Canada: 1-888-676-7325**
- No tire de ella ni la mueva por el cordón, ni use el cordón como asa, no cierre la puerta sobre el cordón, ni jale el cordón alrededor de bordes o esquinas afiladas. Mantenga el cordón lejos de las superficies calientes.
- No opere el aparato sobre el cordón.
- No lo desconecte jalando el cordón. Para desconectarlo, tome la clavija, no el cordón.
- No manipule la clavija ni el aparato con las manos mojadas.
- No ponga objetos pesados en las aberturas. No lo use con alguna abertura bloqueada; manténgalo libre de polvo, pelusa, cabello y cualquier cosa que pueda reducir el flujo de aire.
- Mantenga el cabello, ropa suelta, dedos y todas las partes del cuerpo lejos de las aberturas y partes móviles.
- No la use para que aspire cualquier cosa que se esté quemando o arrojando humo, como cigarrillos, cerillos o cenizas calientes.
- No la use sin el ensamblaje de la bolsa de filtro en su lugar.
- Apague todos los controles antes de desconectarla.
- Tenga cuidado especial cuando limpie alguna escalera.
- No la use para aspirar líquidos inflamables o combustibles, como gasolina o líquido para encendedores, ni la use en áreas donde puedan estar presentes.
- No use el aparato en espacios cerrados donde puedan emanarse vapores inflamables, explosivos o tóxicos por pintura a base de aceite, adelgazador de pintura, algunas sustancias a prueba de moho, o en un área donde haya presente polvo inflamable.
- No aspire con este aparato material tóxico como blanqueador con cloro, limpiador de drenajes, gasolina, etc.

**GUARDE ESTAS INSTRUCCIONES Sólo para uso casero**

## Garantía

ORECK MANUFACTURING COMPANY: (ORECK le ofrece la siguiente garantía limitada para este producto solamente si se compró originalmente para usarse, no para revenderse, de ORECK o de un distribuidor minorista autorizado por ORECK.)

Oreck reparará o reemplazará sin cargo alguno al comprador original cualquier parte que se encuentre defectuosa en cuanto al material o mano de obra en el correr de diez (10) años a partir de la fecha de compra. Esta garantía limitada es aplicable al uso doméstico normal. Cualquier uso comercial de este producto anulará esta garantía limitada.

Las correas de impulsión, cepillos revolventes, bombillas, bolsas desechables y otras piezas sujetas al desgaste normal no se cubren con esta garantía limitada.

Esta garantía limitada no aplica para cualquier parte sujeta a accidente, abuso, al uso comercial del abuso, alteración, uso indebido, daños provocados por incendio o causas de fuerza mayor, uso de voltajes diferentes a los indicados en la placa del número de serie de este producto, o el servicio de este producto por alguien que no forme parte de ORECK o de un centro de servicio autorizado de fábrica de ORECK.

La garantía limitada de ORECK no autoriza a cualquier persona o representante a asumir u otorgar cualquier otra obligación de garantía con la venta de este producto.

La garantía limitada de ORECK es válida solamente si mantiene su comprobante de compra para este producto de ORECK o de un distribuidor minorista autorizado por ORECK. Si compra este producto de cualquier otra fuente, su compra es "TAL CUAL", lo que significa que ORECK no le otorga garantía alguna, y que usted, no ORECK asume el riesgo total de la calidad y el desempeño de este producto, incluyendo el costo total de cualquier servicio o reparaciones necesarias de cualquier defecto.

La responsabilidad por daños de ORECK para usted por cualquier costo que surja por esta declaración de garantía limitada se limitará al monto pagado por este producto al momento de la compra original, y ORECK no será responsable de cualquier daño directo, indirecto, consecencial o incidental que surja por el uso o incapacidad de uso de este producto.

Algunos estados no permiten la exclusión o la limitación de daños incidentales o consecuenciales, así que la limitación o exclusión anterior puede no aplicar para usted.

TODAS LAS GARANTIAS EXPRESAS E IMPLICITAS PARA ESTE PRODUCTO, INCLUYENDO LAS GARANTIAS IMPLICITAS DE CAPACIDAD DE COMERCIALIZACION Y APTITUD PARA UN PROPOSITO EN PARTICULAR, ESTAN LIMITADAS EN DURACION AL PERIODO DE LA GARANTIA, Y NO APLICARA NINGUNA GARANTIA, EXPRESA O IMPLICITA, DESPUES DE ESTE PERIODO.

Algunos estados no permiten las limitaciones en la duración de las garantías implícitas, así que la limitación anterior puede no aplicar para usted.

Esta garantía le concede derechos legales específicos, y puede también tener otros derechos que varían de estado a estado.

**De ser aplicable, ver la información acerca de la garantía prorrogada.**

## Guía para identificación de problemas



**ADVERTENCIA: Desconecte el cordón de la toma eléctrica antes de dar servicio.**

**AHORRESE LAS LLAMADAS DE SERVICIO...  
REVISE PRIMERO LO SIGUIENTE:**

- ¿Está llena la bolsa para polvo de filtro desechable?
- ¿Hay poros de la bolsa para polvo de filtro tapados con polvo fino?
- ¿Hay algo que tape el cepillo revolvente, el tubo inferior, la abertura de admisión, el bastidor del ventilador, o la abertura de ensamblaje de la conexión?
- ¿Los extremos del cepillo están en la ubicación adecuada?
- ¿El cepillo gira libremente? ¿Hay cabellos, hilos o fibras de tapete alrededor del cepillo?

PROBLEMA	POSIBLE CAUSA	AREAS A VERIFICAR
<b>LA ASPIRADORA NO FUNCIONA</b>	No está bien conectada.  No hay electricidad en la toma de corriente en la pared.	Asegúrese que la aspiradora esté firmemente conectada en la toma de corriente de la pared.  Revise el fusible de la fuente de electricidad o el interruptor automático del circuito.
<b>EL APARATO NO ASPIRA</b>	La bolsa del filtro está llena.  La boquilla o el pivote de admisión está tapado.  La correa está rota o estirada.  El cepillo está desgastado.  El tubo de la bolsa está tapado.  Los poros de la bolsa están tapados con polvo fino.  El impulsor del ventilador está roto.  El cepillo revolvente no está uniforme en ambos extremos.	Reemplace la bolsa del filtro. Vea la sección "Cómo instalar la bolsa para polvo de filtro de papel."  Limpie las obstrucciones.  Reemplace la correa.  Reemplace el cepillo si las cerdas no se extienden más allá de la placa base.  Limpie la obstrucción.  Cambie la bolsa.  Envíe al Centro de Servicio para su reparación.  Verifique el sello del cojinete. Asegúrese que las palabras "normal" o "special" correspondan en cada extremo.

**TOUTES LES AUTRES RÉPARATIONS DOIVENT ÊTRE FAITES DANS UN CENTRE DE RÉPARATION AUTORISÉ.**

**APPELÉZ LE SERVICE TÉLÉPHONIQUE GRATUIT D'ASSISTANCE À LA CLIENTÈLE  
US: 1-800-989-3535 Canada: 1-888-676-7325**

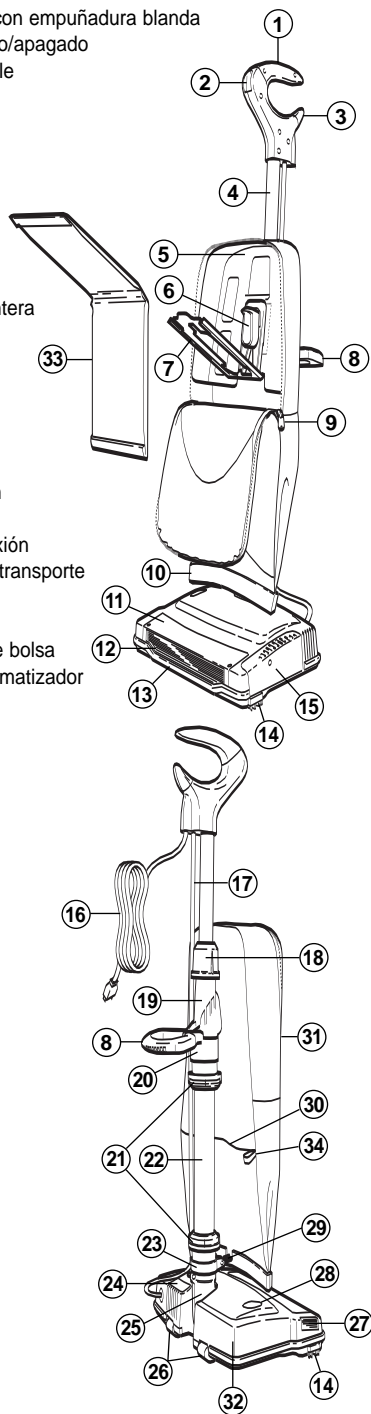
Lorsque vous téléphonez, n'oubliez pas de noter le numéro de modèle et le numéro de série de l'appareil, lesquels figurent sur sa plaque signalétique..



## Lista de piezas:

Para ayudarle a identificar los componentes de su aspiradora, las piezas se han numerado como sigue:

- 1 Mango Helping Hand® con empuñadura blanda
- 2 Interruptor de encendido/apagado
- 3 Abrazadera para el cable
- 4 Tubo del mango
- 5 Rigidizador de la bolsa
- 6 Deflector
- 7 Apoyo de la bolsa
- 8 Asa de transporte
- 9 Sujetador de cremallera
- 10 Pinza de la bolsa
- 11 Cubierta de la luz delantera
- 12 Cristal de luz delantera
- 13 Paragolpes principal
- 14 Cepillo orillador
- 15 Puerta de la correa
- 16 Système du cordon électrique
- 17 Cordón de alimentación
- 18 Collar del mango
- 19 Ensamblaje de la conexión
- 20 Abrazadera del asa de transporte
- 21 Collares
- 22 Tubo inferior
- 23 Abrazadera de pinza de bolsa
- 24 Puerta del cartucho aromatizador
- 25 Bastidor del ventilador
- 26 Ruedas traseras
- 27 Luz lateral
- 28 Cubierta
- 29 Resorte de la bolsa
- 30 Cavity para bolsa
- 31 Bolsa exterior
- 32 Cabeza motriz
- 33 Bolsa para polvo con filtro de papel
- 34 Argolla para quitapolvo



## Ensamblaje

- fig. 1** Alinee la ranura en el tubo del mango con la lengüeta en el conector. Insertar el tubo en el conector. Apriete el collar en la base del tubo del mango en el conector hasta que se traben, encaje a presión.
- fig. 2** Montaje rápido de la cuerda en el clip de la cuerda situado en el lado izquierdo del collar. Deje exceso de la cuerda al frente de la energía para permitir el movimiento.

## Instrucciones de operación

Asegúrese de que la bolsa de filtro de papel desechable esté en su lugar. NO maneje la aspiradora sin una bolsa de filtro de papel. Enchufe el cordón en un tomacorriente y una vez que esté listo para empezar a trabajar, **oprima el botón de Encendido baja velocidad (I) - Encendido alta velocidad (II) en el mango.**

### Traba de posición arriba

**fig. 3** Apoye el pie en el cabezal motorizado e incline el mango suavemente hacia atrás para soltar la traba y usar la aspiradora. Vuelva a colocar el mango en posición vertical para enganchar la traba.

**PRECAUCIÓN:** No permitir que la unidad funcione mientras esté en cualquier posición fija por cualquier período de tiempo. Mientras esté en funcionamiento, mantener la unidad en movimiento.

### Asa de transporte

**fig. 4** Levante el asa de transporte ubicada en la parte trasera de la aspiradora para poder levantar y transportar fácilmente la máquina y aspirar escaleras. Baje el asa durante el uso para evitar que obstruya el paso.

### Presilla para el quitapolvo

**fig. 5** Para el uso conveniente del accesorio para quitar el polvo, en la bolsa exterior se ha cosido una presilla. Esta permite retirar y guardar fácilmente el accesorio.

### Para guardar fácilmente el cordón eléctrico

**fig. 6** Levante el asa de transporte y enrolle el cordón eléctrico alrededor del asa de transporte y mango Helping Hand®.

**fig. 7** Para soltar el cordón, gire 1/2 vuelta el soltador ubicado en el mango Helping Hand®. Deslice el cordón fuera del mango (**fig. 8**).

### Almacenamiento de la aspiradora

Es posible usar tanto el mango Helping Hand® como el asa de transporte para comodidad y ahorro de espacio de almacenamiento de la aspiradora. Cuelgue la aspiradora del asa de transporte en un gancho bien firme o del mango Helping Hand® en la barra de un armario (closet).

### Recomendaciones de operación

Esta nueva aspiradora vertical ORECK XL21 de alta velocidad es una de las mejores, más rápidas y fuertes unidades en su clase. Le encantará la manera como limpia, cómo cabe por debajo de las cosas, y que es TAN ligera y fácil de usar.

Las siguientes son sólo algunas sugerencias sencillas relacionadas con su operación:

1. Cuando inserte una nueva bolsa desechable para polvo con filtro de papel, PRIMERO INFLELA y ABRA LA BOLSA.
2. Cuando la bolsa para polvo con filtro desechable esté llena, CAMBIELA.
3. Si en cualquier momento la máquina no absorbe adecuadamente o hace un ruido inusual, DEJE DE OPERARLA Y DÉLE SERVICIO.
4. Aunque su aspiradora vertical absorbe alfileres, sujetadores de papel y otros objetos pequeños, se recomienda que los retire del suelo antes de aspirar. En caso de no hacerlo el ventilador de succión del motor y el bastidor pueden quedar con daños permanentes.
5. **ADVERTENCIA:** No use su aspiradora en superficies húmedas o mojadas. Esto provocará daños en la aspiradora y es peligroso para el usuario. Los daños provocados por el uso en superficies húmedas o mojadas no están cubiertos por la garantía.
6. **REEMPLACE LA CORREA CADA 6 MESES, EL CARTUCHO AROMATIZADOR CADA MES Y EL FILTRO DEL MOTOR CADA 2 MESES.**
7. Cambie la bolsa para polvo con filtro desechable por lo menos una vez al mes, aunque no esté llena. El polvo recolectado en la bolsa de polvo puede provocar olores, atraer la humedad, actuar como área de multiplicación, y puede afectar la eficiencia de la aspiradora.
8. **NO** opere la aspiradora por encima del cordón. El cepillo revolvente puede dañar el cordón.
9. Tenga cuidado al limpiar los bordes y la franja excesivos de la manta con la aspiradora del área.

## Información general

El desempeño de su nueva aspiradora depende en gran parte del cuidado y el mantenimiento. Las instrucciones de este manual le guiarán para realizar el cuidado y mantenimiento básico. Para obtener muchos años de servicio satisfactorio, lea las instrucciones y manténgalas a la mano para futura referencia.

### Bolsas para polvo con filtro de papel desechables.

Las bolsas para polvo con filtro de papel desechables tienen una función muy importante en la eficiencia de su aspiradora ORECK. El objetivo de la bolsa de papel es atrapar la mugre, pero al mismo tiempo debe ser lo suficiente porosa para que el aire pase a través de ella. Si se tapa la bolsa de papel, no puede pasar el aire a través de la aspiradora y no se puede aspirar, independientemente de la potencia de la aspiradora. Aumente la POTENCIA DE LIMPIEZA de su aspiradora cambiando con frecuencia la bolsa.

Para mantener su aspiradora operando con la máxima eficiencia, cambie la bolsa de polvo con frecuencia. **NO LLENE LA BOLSA SOBRE LA LÍNEA INDICADA EN LA BOLSA PARA POLVO.**

Asegúrese que la bolsa para polvo de filtro de papel esté en la posición adecuada.

**No todas las bolsas para polvo de papel son iguales. Sus bolsas para polvo desechables de ORECK han sido diseñadas para utilizarse con la aspiradora ORECK y si usa otras bolsas que no sean las bolsas desechables genuinas de ORECK se afectará la capacidad de limpieza de su aspiradora y podría dañarse.**

### HEPA-Celoc® Sistema de filtrado hipoalérgico

La bolsa exterior CELOC SMMS de su aspiradora es de un material médico de alta filtración diseñado para filtrar la más pequeña partícula de polvo. Es importante que se limpie el interior de la bolsa exterior. aspire el interior de la bolsa exterior o lave a mano con agua caliente, volteada al revés, y seque al aire. Para mejores resultados, una vez al año debe reemplazarse la bolsa exterior CELOC SMMS. Una vez al mes debe reemplazarse la bolsa de polvo interior desechable de capas CELOC, incluso si no está llena. Si se utiliza en áreas extremadamente sucias cámbiela con más frecuencia. **Incremente la potencia de limpieza de su aspiradora cambiando la bolsa con frecuencia.**

### La correa

La correa de su aspiradora controla la velocidad del cepillo revolvente y es muy importante para la operación eficaz de la aspiradora. Si la correa se corta o se estira, provocará que el cepillo revolvente se detenga completamente o que se haga más lento. Vea las instrucciones en el manual para la correa revolvente.

**En la placa base de su aspiradora se almacena una correa extra. Cuando compre las correas de repuesto, use SOLAMENTE correas genuinas de ORECK. Otras correas que no sean de ORECK no operarán el cepillo revolvente de manera correcta y pueden provocar tensión indebida, la cual provocará daños al motor y a los cojinetes del cepillo. Si utiliza otras correas que no sean de ORECK se anulará la garantía.**

### Filtro del motor

La función del filtro del motor es filtrar las partículas pequeñas desprendidas por el escape del motor mientras está funcionando. Este filtro no es necesario para el funcionamiento, pero es muy útil para eliminar las impurezas que contaminan el aire.

**NOTA:** Para mejor rendimiento, se recomienda cambiar el filtro del motor cada dos meses.

### Cartuchos Oreck Fresh Air®

Un cartucho Fresh Air da una fragancia agradable al aire mientras se pasa la aspiradora. Se coloca detrás del filtro del motor y utiliza el calor y el aire generado por el motor para distribuir la fragancia.

**NOTA:** Se recomienda cambiar el cartucho cada mes, cuando se cambia la bolsa de filtro o cuando se estime conveniente.

### Lubricación

Los cojinetes del motor de la aspiradora se lubrican y sellan en la fábrica. No se requiere lubricación adicional.

## Cuidados generales de la aspiradora

**fig. 9** Por lo menos una vez al mes, revise y retire el exceso de pelusa, hilos o cabello del cepillo revolvente. **Las ranuras de limpieza patentadas en el rodillo de cepillo facilitan la limpieza.**

Limpie el exterior de la aspiradora con una tela húmeda. También limpie el área de ensamblaje del deflector de la conexión, la base de la aspiradora y el área del bastidor del ventilador. Si hubiera polvo en la bolsa exterior, aspirelo o sacúdalo.

Un poco de mantenimiento preventivo mantendrá su aspiradora como nueva y asegurará la eficacia continua de limpieza.

### PRECAUCION-Pisos de madera, superficies suaves de madera (vinilo, baldosas de asfalto, etc.) y pisos encerados

Utilizar los métodos de limpieza para pisos y terminaciones de pisos recomendados por el fabricante. La tira de metal en la base del limpiador puede dañarse si se utiliza en concreto o en superficies abrasivas, y por lo tanto, puede causar daño a los pisos de madera, superficies suaves de madera (vinilo, baldosas de asfalto, etc.) y pisos encerados. El cepillo del rodillo también puede manchar las terminaciones muy suaves. No operar la unidad mientras que se encuentre en posición vertical o trancada. No permitir que la unidad funcione mientras que esté en cualquier posición estacionaria por cualquier plazo de tiempo. Mantener la unidad en movimiento mientras que esté funcionando.

## Para reemplazar la bolsa para polvo de filtro



**ADVERTENCIA: Desconecte el cordón de la toma eléctrica antes de dar servicio.**

### RETIRO DE LA BOLSA:

- fig. 10** Abra completamente el cierre de cremallera de la bolsa exterior.
- fig. 11** Tire del collar de cartón de la bolsa para soltar del conector la puerta de apoyo de la bolsa. La puerta de apoyo de la bolsa se abre hacia abajo.
- fig. 12** Tire suavemente el collar de cartón hacia arriba y hacia afuera del apoyo de la bolsa. El sello contra polvo Saniseal™ se cerrará automáticamente.

### INSTALACION DE LA BOLSA:

- fig. 13** Deslice el collarín de cartón en la puerta de carga de la bolsa hasta que el agujero de lengüeta del sello para polvo de cierre automático esté inmovilizado en su posición.
- fig. 14** Empuje firmemente con ambos pulgares la puerta de carga de la bolsa sobre el punto indicado hasta que encaje.

## Reemplazo de la bombilla



**ADVERTENCIA: Desconecte el cordón de la toma eléctrica antes de dar servicio.**

- fig. 15** Retire el bastidor de la lámpara, retirando dos tornillos en la parte superior del bastidor de la lámpara. Jale la bombilla quemada de su soporte, y reemplácela con la nueva bombilla. Regrese a su lugar el bastidor de la lámpara, colocando nuevamente los dos tornillos en la parte superior del bastidor de la lámpara.

## Cómo reemplazar una correa desgastada



**ADVERTENCIA: Desconecte el cordón de la toma eléctrica antes de dar servicio.**

- fig. 16** Retire la correa de repuesto del canal de almacenamiento.
- fig. 17** Retire la puerta quitando el tornillo de fijación ubicado en el costado del cabezal motorizado.
- fig. 18** Pliegue la puerta alejándola del cabezal motorizado.

- fig. 19** Retire la correa del eje impulsor del motor y de la polea del cepillo de rodillo.
- fig. 20** Pase la correa nueva sobre la polea del rodillo de cepillo. Coloque el extremo opuesto de la correa en el eje impulsor del motor.
- fig. 18** Vuelva a poner la puerta, colocando la lengüeta inferior de la puerta en las ranuras ubicadas dentro del cabezal motorizado y luego empuje la puerta para cerrarla.
- fig. 17** Coloque el perno de fijación y apriételo.



### **Para ajustar o reemplazar el cepillo**

**ADVERTENCIA: Desconecte el cordón de la toma eléctrica antes de dar servicio.**

El vacío de su Oreck viene con el rodillo del cepillo fijado en la posición "NORMAL" para la mayoría de los tipos de alfombras. Al usar vacío sobre todo en las alfombras de Berber, ajuste el rodillo del cepillo a la configuración "SPECIAL."

- fig. 21** Quite la placa base retirando 5 tornillos. Luego quite la correa y el rodillo del cepillo del bastidor.
- fig. 22** Dé vuelta las tarjetas de extremos del rodillo de cepillo para que muestren la palabra "SPECIAL" y vuelva a colocarlas en los canales de sujeción de la caja.
- fig. 23** **NOTA:** La tarjeta marcada "SPECIAL" tiene varias nervaduras encima de la tarjeta de extremo.
- fig. 24** La posición de la tarjeta de extremo del cepillo marcada "NORMAL" **no tiene nervaduras**. Cuando de vuelta los cojinetes, asegúrese que las posiciones de las dos tarjetas de extremos sean iguales y que estén vueltas hacia arriba cuando reponga el rodillo de cepillo.

Monte nuevamente la correa y la placa base.



### **Reemplazo del cepillo orillador**

**ADVERTENCIA: Desconecte el cordón de la toma eléctrica antes de dar servicio.**

- fig. 25** Invierta el cabezal motorizado. Con la placa de base vuelta hacia arriba, retire el tornillo ubicado en el centro de cada cepillo orillador. Retire los dos cepillos orilladores y reemplácelos con nuevos. Coloque los dos tornillos y apriételos.

### **Reemplazo del filtro del motor y cartucho aromatizador Oreck Fresh Air®**



**ADVERTENCIA: Desconecte el cordón de la toma eléctrica antes de dar servicio.**

Cada **6 meses**, reemplace el filtro del motor que se encuentran en la parte trasera de la cabeza motorizada. El disco del olor se debe substituir cada mes al cambiar el bolso de filtro interno.

- fig. 26** Oprima las dos lengüetas de cierre en la cubierta del cartucho y retire la cubierta.
- fig. 27** Retire el sujetador del cartucho levantando la lengüeta en la parte superior del cartucho.
- fig. 28** Retire el filtro viejo el disco aromatizador del sujetador. Reemplace el filtro y el disco y vuelva a insertar el sujetador.

Coloque la cubierta alineando sus lengüetas con las ranuras en la caja y haga presión en la cubierta hasta que las lengüetas encajen.

### **Uso de una tableta Oreck Fresh Air®**

- fig. 29** Su aspiradora ORECK XL 21 tiene un bolsillo para una tableta FRESH AIR. Este bolsillo de color claro se localiza dentro de la bolsa de vinilo, en el área donde la bolsa desechable de papel se fija al tubo de entrada. Inserte la tableta en el bolsillo.

### **Relleno o bloqueo**

**IMPORTANTE:** En las alfombras nuevas y afelpadas, se puede atorar el tubo de admisión y el tubo inferior. Esto se debe al exceso de pelusa y recortes sueltos en la alfombra. Es posible que el atoramiento ocurra durante las primeras limpiezas hasta que se elimine todo el material suelto. Debido a la gran eficiencia de la aspiradora, muchas alfombras viejas causan atoramiento cuando se limpian por primera vez con esta aspiradora. Si su aspiradora no aspira debidamente, o produce un ruido anormal y la bolsa exterior no se infla, proceda de la manera siguiente:



**ADVERTENCIA: Desconecte el cordón de la toma eléctrica antes de dar servicio.**

- fig. 30** Revise que la boca de la abertura de entrada no esté bloqueada. Vea la ilustración A. Si hubiera un bloqueo, retírelo con unos alicates largos, un destornillador o una percha para ropa. Si no puede alcanzar el bloqueo, quite la placa base. (**fig. 21**)
- fig. 31** Si el bloqueo no está en la base, retire el tubo inferior. Desenganche el resorte retenedor, liberando la parte inferior de la bolsa.
- fig. 32** Gire el collarín en sentido contrario de las agujas del reloj para deslizarlo hacia arriba. Jale el tubo fuera de su base.
- fig. 33** Verifique el bloqueo. Si está en el tubo, retírelo con una percha para ropa.
- fig. 34** Si el tubo no está bloqueado, vea el bastidor del ventilador. Retire los residuos con unos alicates largos, un destornillador o una percha para ropa.
- fig. 32** Para volver a armar, revise la junta tórica en el tubo y reemplácela si está dañada. Coloque el tubo alineando primero la ranura en la base del tubo con la lengüeta dentro de la envuelta del ventilador. Inserte el tubo y empújelo hacia abajo hasta que se asiente. Asegúrese que la junta tórica esté contra el hueco de la envuelta del ventilador. Coloque el collar y apriételo hasta que las lengüetas de fijación estén trabadas en su lugar. Enganche el resorte de la bolsa. (**fig. 31**)
- fig. 35** Muchas veces ocurre un bloqueo debido a que la bolsa para polvo está llena, lo que provoca que el polvo baje al sistema de flujo de aire. Cuando eso sucede, el bloqueo estará en la parte superior del sistema, comenzando en el área donde la bolsa para polvo se conecta al ensamblaje de la conexión.

**NOTA:** Si las medidas anteriores no corrigen el problema, llame a un centro de servicio autorizado ORECK o llame al centro de servicio a clientes. **US: 1-800-989-3535 Canada: 1-888-676-7325**

